

## Focus M41

Single lever kitchen mixer 240, pull-out spray, 2jet

Surfaces: **Matt Black** Article Number: **31815670**



### Description

#### product features

- ComfortZone 240
- swivel range adjustable in 2 steps to 110° or 150°
- laminar spray, shower spray
- lockable shower spray, spray returns through pressing spray diverter
- MagFit magnetic shower support
- quick connect hose
- connection dimension: DN15
- maximum flow rate at 3 bar: 10 l/min
- ceramic cartridge
- connection type: G 3/8 connections
- temperature limitation adjustable
- integrated non-return valve
- suitable for continuous flow water heaters

### Technology



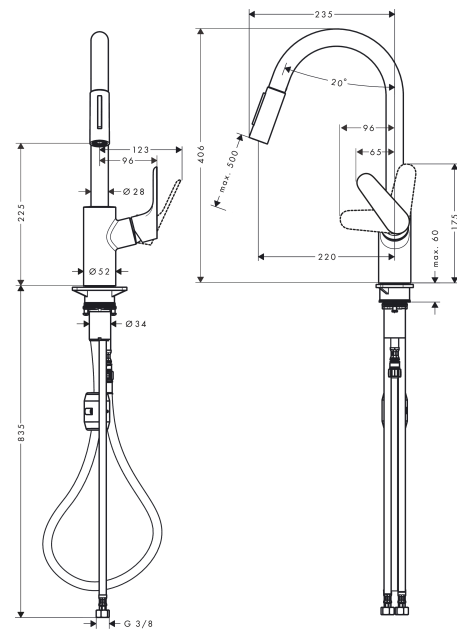
### Design awards



### Product image



### Scale drawing



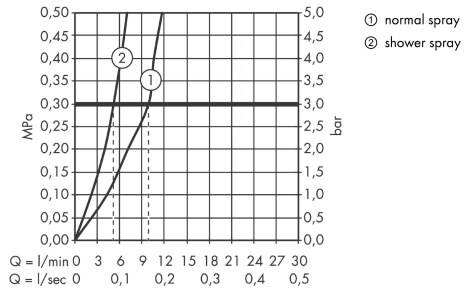
**Focus M41**

**Single lever kitchen mixer 240, pull-out spray, 2jet**

Surfaces: **Matt Black** Article Number: **31815670**



**Flowchart**



**Focus M41**

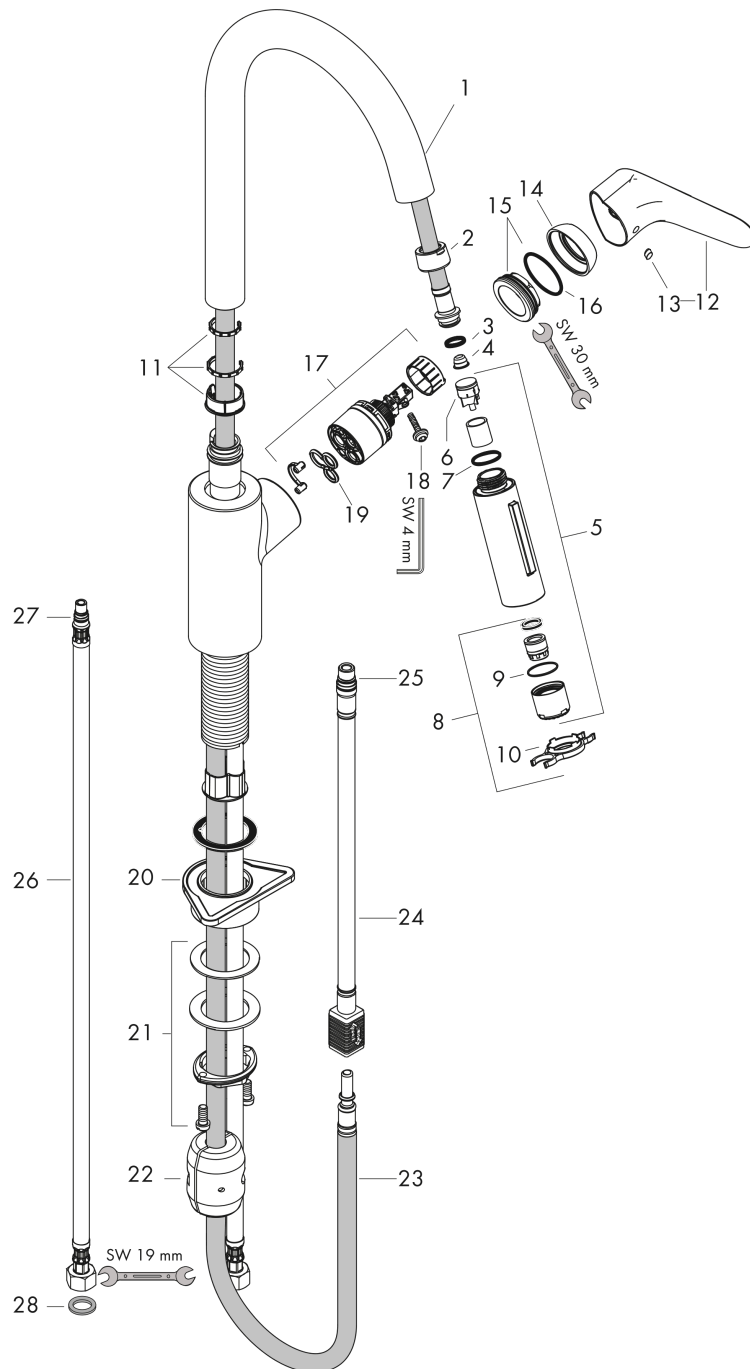
**Single lever kitchen mixer 240, pull-out spray, 2jet**

Surfaces: **Matt Black** Article Number: **31815670**



**Exploded Drawing**

Year of production: >07/19



## Focus M41

Single lever kitchen mixer 240, pull-out spray, 2jet

Surfaces: **Matt Black** Article Number: **31815670**



### Spare part list

Year of production: >07/19

| Pos. | Description                         | Article Number | Price | PU |
|------|-------------------------------------|----------------|-------|----|
| 1    | spout cpl.                          | 95562670       | -     | 1  |
| 2    | nut                                 | 92755000       | -     | 1  |
| 3    | O-ring 11x2                         | 98127000       | -     | 1  |
| 4    | filter                              | 97735000       | -     | 1  |
| 5    | handspray                           | 98459670       | -     | 1  |
| 6    | set of non return valves DW 15      | 97350000       | -     | 1  |
| 7    | O-ring 18x1,5                       | 98231000       | -     | 1  |
| 8    | aerator laminar M22x1 (15 l/min)    | 95909000       | -     | 1  |
| 9    | O-ring 20x1                         | 98140000       | -     | 1  |
| 10   | service tool                        | 95910000       | -     | 1  |
| 11   | set of lever collars                | 98365000       | -     | 1  |
| 12   | handle                              | 98460670       | -     | 1  |
| 13   | screw cover                         | 96338000       | -     | 1  |
| 14   | flange                              | 95498670       | -     | 1  |
| 15   | nut                                 | 97209000       | -     | 1  |
| 16   | O-Ring 32x2                         | 98193000       | -     | 1  |
| 17   | cartridge, assy                     | 92730000       | -     | 1  |
| 18   | locking screw for handle            | 95140000       | -     | 1  |
| 19   | seal                                | 95008000       | -     | 1  |
| 20   | support                             | 97523000       | -     | 1  |
| 21   | fixing set (special)                | 93253000       | -     | 1  |
| 22   | weight                              | 92500000       | -     | 1  |
| 23   | hose 1,50 m                         | 95507000       | -     | 1  |
| 24   | connection hose 600 mm M10x1        | 95561000       | -     | 1  |
| 25   | O-ring 8x1,75                       | 97827000       | -     | 1  |
| 26   | connection hose 900 mm M8x0,75 G3/8 | 96316000       | -     | 1  |
| 27   | O-ring 7x1,5                        | 98422000       | -     | 1  |
| 28   | sealing set                         | 95581000       | -     | 1  |